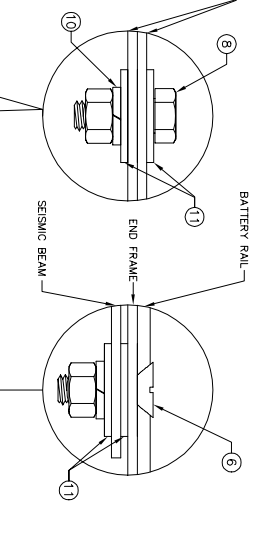
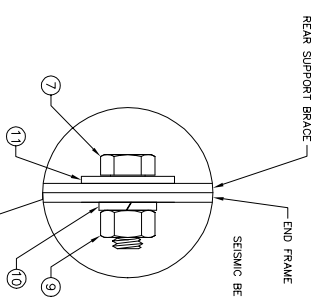
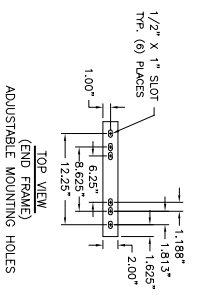
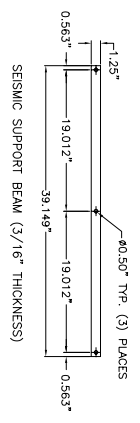
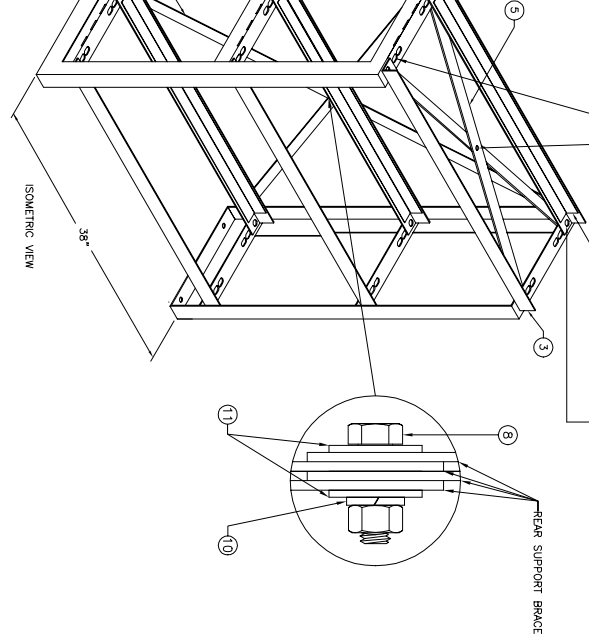
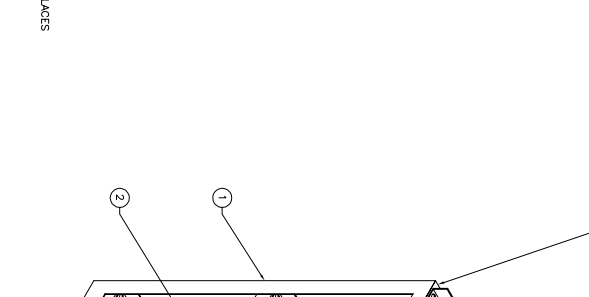
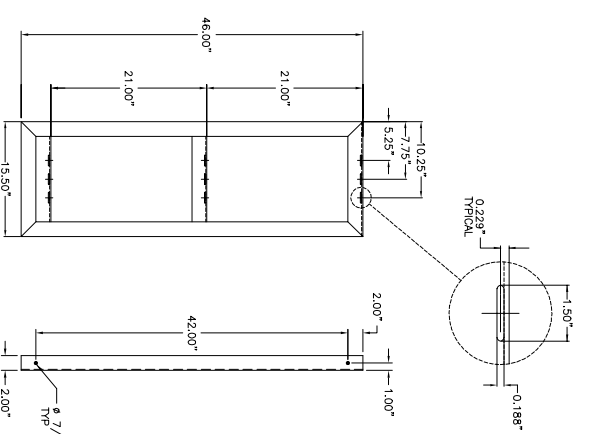


- BATTERY QUANTITIES AND MOUNTING HOLES**
- (15) TC OR PRC-1225X USE MOUNTING HOLES #3 & #4.
  - (21) TC OR PRC-1230X, 1235X USE MOUNTING HOLES #3 & #5.
  - (18) TC OR PRC-1250XL USE MOUNTING HOLES #3 & #5.
  - (15) TC OR PRC-1265, 1280X, 1290X USE MOUNTING HOLES #1 & #4.
  - (15) TC OR PRC-12100X USE MOUNTING HOLES #1 & #5.
  - (15) TC OR PRC-12110X, 12120X, 12150X USE MOUNTING HOLES #1 & #6.
  - (15) TC OR PRC-6165X, 6200X, 6225X USE MOUNTING HOLES #1 & #4.
  - (15) TC OR PRC-2450X, 2550X, 2600X USE MOUNTING HOLES #1 & #4.



- RACK ASSEMBLY INSTRUCTIONS**
- READ ALL INSTRUCTIONS FULLY BEFORE ATTEMPTING TO INSTALL OR SET UP RACK.
  - Ⓐ CHECK RECEIVED PARTS AGAINST PARTS LIST BELOW.
  - Ⓑ RACK LOCATION SHOULD BE:
    1. AWAY FROM OUTSIDE SOURCES OF HEAT (DIRECT SUN-LIGHT, RADIATORS, STEAM PIPES ETC.)
    2. ON LEVEL GROUND.
    3. EASILY ACCESSIBLE FOR CELL READINGS AND WATER ADDITIONS, IF APPLICABLE (PL BATTERIES).
  - Ⓒ MARK LOCATION ON FLOOR AND POSITION FRAMES.
  - Ⓓ INSTALL BRACES ON TO FRAMES AND HAND TIGHTEN NUTS.
  - Ⓔ INSTALL RAILS IN APPROPRIATE POSITION FOR BATTERY SYSTEM TO BE USED AND HAND TIGHTEN NUTS.
  - Ⓕ CHECK THAT RAILS AND BRACES ARE IN CORRECT POSITION AND SQUARE RAIL WITH FRAME.
  - Ⓖ INSTALL THE RAIL INSULATION ON BOTH INSIDE SURFACES OF THE RAIL MAKING SURE THEY MEET AT THE BEND IN THE RAIL WITH BRACES FIRST, THEN RAILS.
  - Ⓗ TIGHTEN ALL NUTS TO A 30 FT/LB TORQUE VALUE STARTING WITH BRACES FIRST, THEN RAILS.
  - Ⓘ \*BOLT FRAMES TO FLOOR. FOR UBC ZONE FOUR CERTIFIED RACKS, A MINIMUM OF 6" OF SPACING IS NEEDED AROUND ALL SIDES OF RACK.
  - Ⓛ USE MOUNTING HOLES #3 & 4 FOR PL-7, PL-8, PL-10, PL-11 PL-15 & PL-27 BATTERIES WHEN INSTALLING OR LENGTHWISE. OTHER MOUNTING HOLES MAY BE USED FOR OTHER ARRANGEMENTS WHEN SMALLER LENGTHS OF RACKS ARE REQUIRED.
  - Ⓚ ALL MOUNTING SLOTS ARE 1/2" X 1" AND SUPPLIED WITH 3/8" HARDWARE KIT.
  - Ⓛ ALL RACKS ARE MADE OF STEEL. ANGLE SUPPORTS AND ARE PAINTED WITH A TEXTURED IBM WHITE ELECTROSTATIC POWDER COAT.

NOTE: A MINIMUM OF 6" OF SPACE IS NEEDED AROUND EACH SIDE OF RACK IN ORDER TO MEET UBC 97 SEISMIC CRITERIA.



ADDED FOLLOWING: SEISMIC BRACING, SLOTS FOR STRAPPING, HARDWARE KIT & DETAIL, ANCHORING COMPONENTS.  
 MODIFIED RACK ASSEMBLY INSTRUCTIONS PART 1, ADDED NOTE FOR 6" SPACING.  
 ADDED HIDDEN LINES TO BACK VIEW OF END FRAME.

NO.	DESCRIPTION:	QTY:	PART NO.:
5	SEISMIC SUPPORT BEAMS	2	RB38-SSB
4	BATTERY RAIL INSULATION KIT	1	RB38T-BRI
3	ADJUSTABLE BATTERY RAILS	6	RB38-ABR
2	REAR SUPPORT BRACE	4	RB38T-B
1	END FRAME	2	RB38T-RF

NO.	DESCRIPTION:	QTY:	PART NO.:
11	3/8" FLAT WASHER	32	
10	3/8" SPLIT LOCK WASHER	22	
9	3/8" HEX NUT	22	
8	3/8" X 1 1/2" HEX HEAD SCREW	6	
7	3/8" X 1 1/4" HEX HEAD SCREW	4	
6	3/8" X 1" COUNTERSUNK FLAT HEAD SCREW	12	

NO.	DESCRIPTION:	QTY:	PART NO.:
1	4-ø1/2"x6" ROD WITH E12 EPOXY CAPSULES	NOT REQUIRED	
2A	4-ø1/2"x6" ROD WITH E12 EPOXY CAPSULES	REQUIRED	
2B	4-ø1/2"x6" ROD WITH E12 EPOXY CAPSULES	REQUIRED	
3	4-ø1/2"x6" ROD WITH E12 EPOXY CAPSULES	REQUIRED	
4	4-ø1/2"x6" ROD WITH E12 EPOXY CAPSULES	REQUIRED	

\*SEE ANCHORING DRAWING ANC-9001.

**HARDWARE KIT: HK-0007**

NO.	DATE	BY	SCALE	POWER BATTERY COMPANY INC.
E	5/26/98		NONE	
F	2/14/00		NONE	
G	3/20/00		LUIS	

POWER BATTERY COMPANY INC.  
**POWER**  
 RB38T ASSEMBLY DRAWING  
 THREE TIER SEISMIC ZONE 1-4  
 CERTIFIED BATTERY RACK

DRAWING NO: RB38T(3)